

# WRT6140AUS

## 60CM 4-ZONE BUILT-IN CERAMIC HOB WITH TOUCH CONTROL

### FEATURES & BENEFITS



#### STOP & GO

Suspend the cooking process if you're interrupted then re-start again at the same temperature in an instant with the Stop & Go function.



#### BLACK CERAMIC GLASS

A completely smooth cooking surface makes the cooktop extremely easy to clean with just a wipe.



#### CHILD LOCK

Featuring a Child Lock function to prevent toddlers and children from accidentally using the hob.



#### RESIDUAL HEAT INDICATOR

As an added safety precaution, all Whirlpool ceramic hobs have residual heat indicators on each zone to alert you when a zone is still hot.



#### WARRANTY

Guarantees peace of mind and value for money knowing that any product fault or defect is covered by full replacement parts and/or a service call to ensure the product works as described.

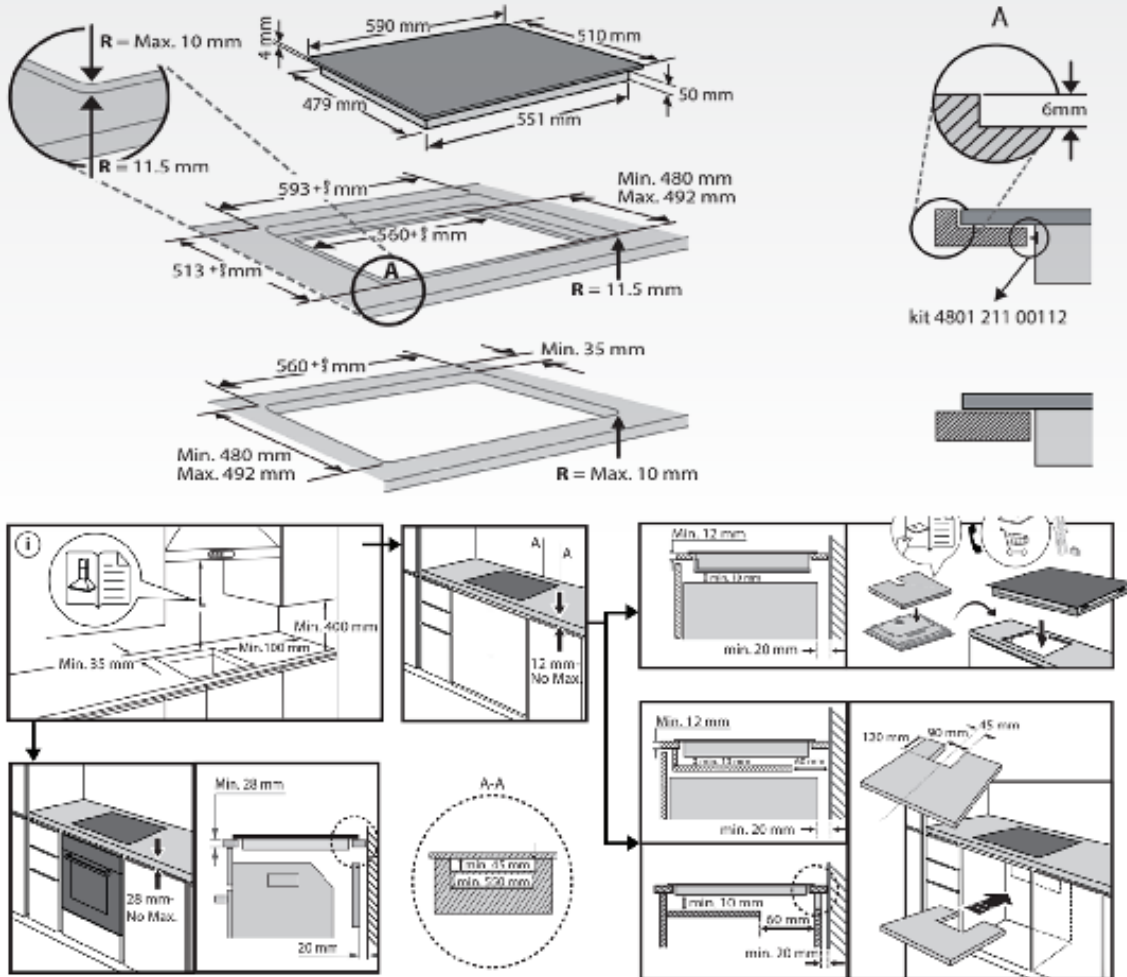
### TECHNICAL SPECIFICATIONS

TYPE	60cm Built-in Ceramic Hob
COOKING ZONES	4
COLOR / FINISH	Black Ceramic Glass
CONTROL	Touch Control
LOCATION OF CONTROL PANEL	Front
PRODUCT NET WEIGHT	7.84kg
PRODUCT DIMENSION	W 590mm x H 51mm x D 520mm
CUT-OUT DIMENSION	W 560mm x D 500mm
FUNCTIONS	Stop & Go Function
FEATURES	Child Lock, Timer, Residual Heat Indicator, Auto Shutdown, Overheat Protection, Overflow Protection
TOTAL POWER	6,000W
LEFT, FRONT ZONE	1,800W
LEFT, REAR ZONE	1,200W
RIGHT FRONT ZONE	1,200W
RIGHT REAR ZONE	1,800W
POWER SETTING	9 levels
ENERGY INPUT	Electric
POWER VOLTAGE	220-240V~, or 380-415V 3N~, 50-60Hz
LENGTH OF POWER CORD	110cm (without plug)
PACKAGING DIMENSION	W 635mm x H 113mm x D 568mm
GROSS WEIGHT	8.75kg
COUNTRY OF ORIGIN	Asia
WARRANTY	5 years

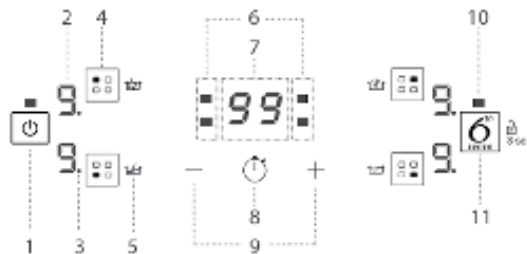
DISTRIBUTED BY ARISIT PTY LTD

40-50 Mark Anthony Drive, Dandenong South VIC 3175  
Ph: 1300 762 219 Fax: 03 9768 0838 Website: www.arisit.com

## INSTALLATION GUIDE



## CONTROL PANEL



- 1. On/Off button
- 2. Cooking level selected
- 3. Zone selection indicator
- 4. Cooking zone selection button
- 5. Special function icon
- 6. Timer indicators active for the selected zone
- 7. Cooking time indicator
- 8. Timer activation button
- 9. Power and cooking time adjustment buttons
- 10. Indicator light – function active
- 11. 6<sup>th</sup> Sense button/Key lock button – 3 seconds

DISTRIBUTED BY ARISIT PTY LTD

40-50 Mark Anthony Drive, Dandenong South VIC 3175  
Ph: 1300 762 219 Fax: 03 9768 0838 Website: www.arisit.com