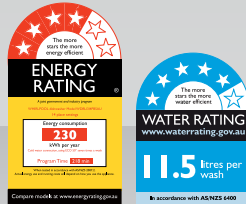




WDBU3I4PBSAU

60CM 14 PLACE SETTING BUILT-UNDER DISHWASHER



FEATURES & BENEFITS



BUILT-UNDER DESIGN

Perfectly fits beneath your counter top providing a sleek, integrated look seamlessly in the kitchen space!



SPACECLEAN 3RD RACK

Fit even full-size bowls, glasses and mugs into the large and deep 3rd rack with powerful integrated water jets, effortlessly load and clean thoroughly!



6TH SENSE TECHNOLOGY

With 6th sense technology, it automatically senses how dirty the dishes are and adapts the cycle time and water pressure accordingly. It ensures to provide the perfect performance with water, energy & time saving.



POWER CLEAN PRO

Powerful water jets on the rear of the machine work to deliver supreme cleaning results on the toughest soil.



HALF LOAD

If there are not many dishes to be washed, a half loading may be used in order to save water, electricity and detergent.



SANITISATION

Thanks to Sanitisation option, it could eliminates 99.999% bacteria and provide more HYGIENE experience



NATURAL DRY

The automatic door opening at the end of the program ensures better and more natural drying. This system guarantees higher energy efficiency and better drying results.

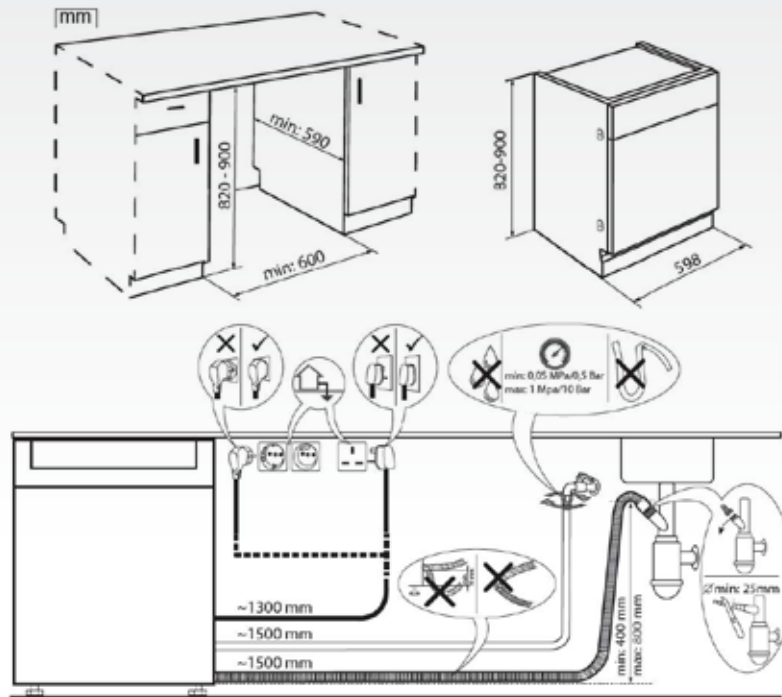
TECHNICAL SPECIFICATIONS

| | |
|---------------------------|---|
| TYPE | Built-under |
| COLOUR / FINISH | Black Stainless Steel |
| DISPLAY | LED Display |
| CONTROL | Touch UI |
| CAPACITY | 14 place settings |
| NET WEIGHT | 37.5kg |
| PRODUCT DIMENSION | W 600mm x H 820mm x D 590mm |
| PROGRAMMES | Eco, Auto Intensive, Auto Mixed, Auto Fast, Crystals, Rapid, Prewash, Selfclean |
| FEATURES | 6th Sense, Power Clean, Half Load, Sanitization, Natural Dry, Removable large SpaceClean 3rd rack, Removable upper rack with double cup shelves and rubber mat for glass protection, Removable Lower rack with Pan holder Dual Inverter, 14 Place Setting |
| SAFETY | Aquastop |
| WATER RATING | 5.0 stars rating |
| ENERGY RATING | 4.0 stars rating |
| ACCESSORIES | Inlet & Outlet Hose |
| VOLTAGE | 220 - 240V |
| CURRENT | 10 amp |
| PLUG TYPE | Australian plug |
| NOISE LEVEL | 43dB |
| LENGTH OF HOSE | Inlet: 155cm Outlet: 150 cm |
| LENGTH OF ELECTRICAL CORD | 130cm |
| PACKAGING DIMENSION | W 625mm x H 880mm x D 675mm |
| GROSS WEIGHT | 40KG |
| WARRANTY | 5 years parts and labour |

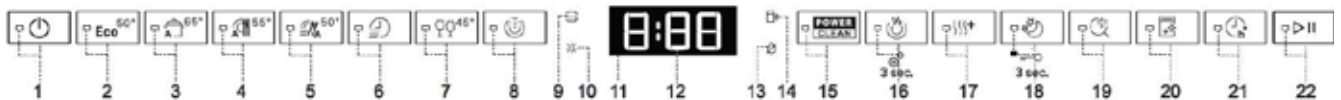
DISTRIBUTED BY ARISIT PTY LTD

40-50 Mark Anthony Drive, Dandenong South VIC 3175
Ph: 1300 762 219 Fax: 03 9768 0838 Website: www.arisit.com

INSTALLATION GUIDE



CONTROL PANEL



- | | |
|---|---|
| <ol style="list-style-type: none"> 1. ON-OFF/Reset button with indicator light 2. Eco program button with indicator light 3. Auto Intensive program button with indicator light 4. Auto Mixed program button with indicator light 5. Auto Fast program button with indicator light 6. Rapid program button with indicator light 7. Crystals program button with indicator light 8. Prewash program button with indicator light 9. Salt reservoir empty indicator light 10. Rinse Aid reservoir empty indicator light 11. Display | <ol style="list-style-type: none"> 12. Program number and remaining time indicator 13. Closed water tap indicator light 14. DESCAL indicator light 15. Power Clean® option button with indicator light 16. Half Load option button with indicator light/ Settings - 3 sec. press 17. Extra Dry option button with indicator light 18. Silent option button with indicator light/ Key lock - 3 sec. press 19. Sani Rinse option button with indicator light 20. Self-Clean program button with indicator light 21. Delay option button with indicator light 22. START/Pause button with indicator light |
|---|---|